



BEST IN GAMES, SAUNAS,
POOL AND PATIO

AVENGER

56" FOOSBALL TABLE - WALNUT
RF4300



FREETIME FUN
1830 E. FABYAN PKWY.
BATAVIA, IL 60510
WWW.FREETIMEFUN.COM

Check all packaging before discarding.

Be sure all parts identified in the assembly manual
are included.

Don't assemble if parts are missing.

If you are missing parts or have questions please
contact our toll free line at 1-888-620-6088.

Thank you for purchasing this product. If you experience any issues during assembly or use of this product, please don't hesitate to contact Customer Service at **1-888-620-6088** for immediate assistance.

ASSEMBLY TIPS

IMPORTANT! PLEASE READ THESE ASSEMBLY INSTRUCTIONS IN ENTIRETY BEFORE ASSEMBLING YOUR PRODUCT.

Estimated Assembly Time: 45 minutes.

1. Find a clean, level surface to begin the assembly of your game table. Assembly will require two adults. You may want to carefully cut the four corners of the box so that the bottom of the box can be used as your work surface.
2. Remove all of the contents from the box and verify that you have all of the parts shown on the Parts List before you begin assembly. **Note: Some parts are pre-installed or pre-assembled.**
3. **When installing parts that have more than one screw or bolt, hand tighten all screws or bolts in place before final tightening with screwdriver or wrench.**
4. Electric screwdrivers may be helpful during assembly; however, please set a low torque and use extreme caution because screws may be stripped if overtightened, resulting in damaged parts.

► **THIS PRODUCT IS INTENDED FOR INDOOR USE ONLY.
DO NOT DRAG THE TABLE WHEN MOVING IT AS THIS MAY CAUSE DAMAGE TO THE LEGS.**

ACCESSORIES

23

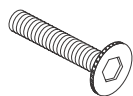


Foosball
XRF10022 (4)

HARDWARE PACK

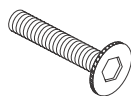
XRF10023 (1)

24



5/16" x 2-1/4" Bolt (8)

25



5/16" x 2-3/4" Bolt (8)

26



5/16" Washer (16)

27



5/32" Bolt (4)

28



5/32" Nut (4)

29



1/2" Screw (2)

30



Allen Wrench
with Handle (1)

AVENGER 56" FOOSBALL TABLE - WALNUT

PARTS LIST

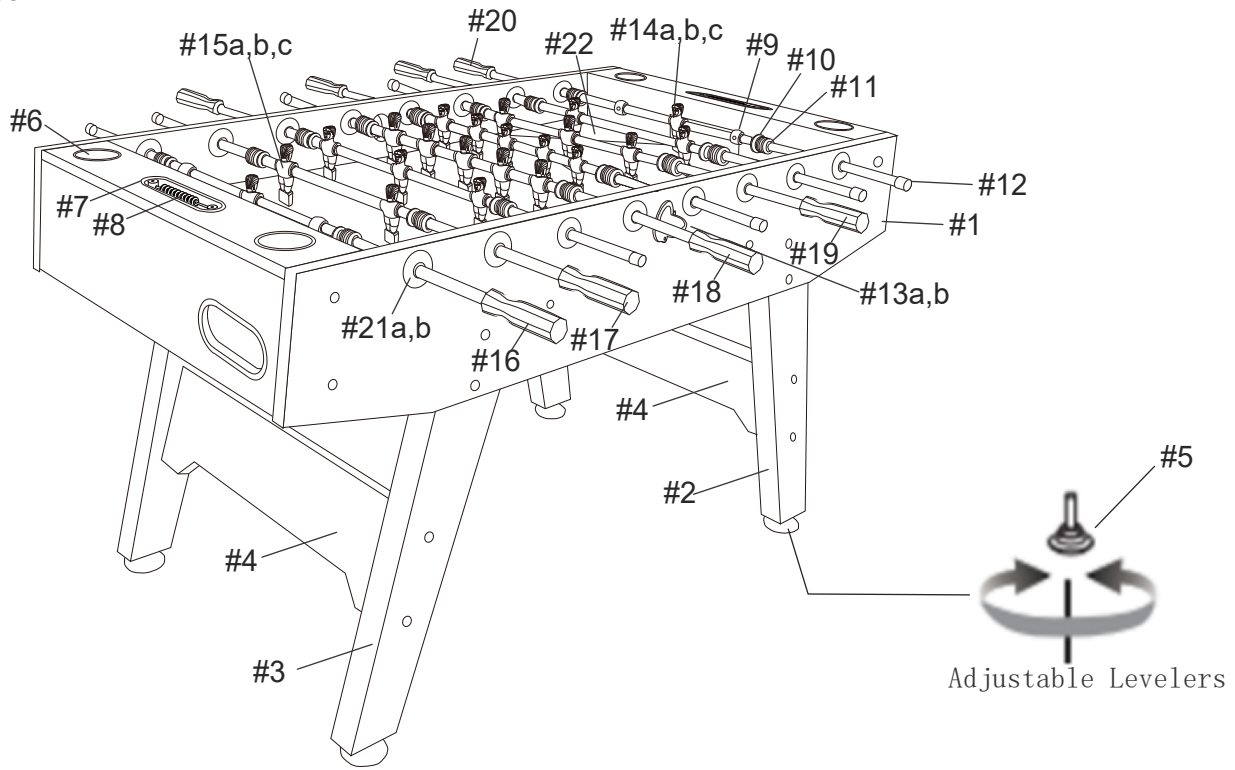
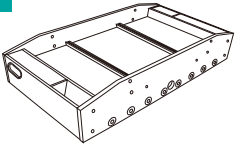
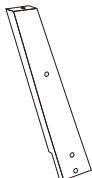
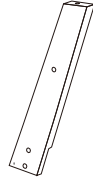
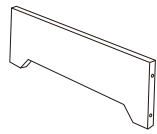

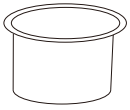
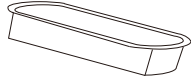
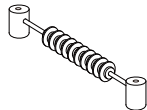
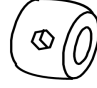
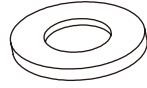


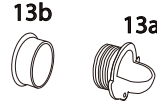
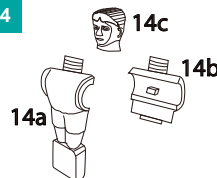
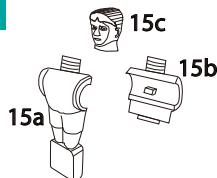


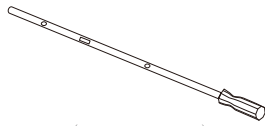
TABLE PARTS

<p>1</p>  <p>(Pre-assembled) Table Cabinet XRF10000 (1)</p>	<p>2</p>  <p>Left Leg XRF10001 (2)</p>	<p>3</p>  <p>Right Leg XRF10002 (2)</p>	<p>4</p>  <p>Leg End Panel XRF10003 (2)</p>	<p>5</p>  <p>Leg Leveler XRF10004 (4)</p>
<p>6</p>  <p>(Pre-Installed) Drink Holder XRF10005 (4)</p>	<p>7</p>  <p>(Pre-Installed) Slide Scorer Liner XRF10006 (2)</p>	<p>8</p>  <p>(Pre-Installed) Slide Scorer XRF10007 (2)</p>	<p>9</p>  <p>Player Stop Ring XRF10008 (4)</p>	<p>10</p>  <p>Plastic Washer XRF10009 (16)</p>
<p>11</p>  <p>Rubber Bumper XRF10010 (16)</p>	<p>12</p>  <p>End Safety Cap XRF10011 (8)</p>	<p>13</p>  <p>Ball Entry Cup XRF10012 (2)</p>	<p>14</p>  <p>Black Player XRF10013 (11)</p>	<p>15</p>  <p>Silver Player XRF10014 (11)</p>

AVENGER 56" FOOSBALL TABLE - WALNUT

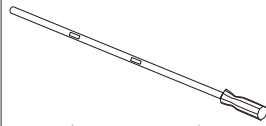
TABLE PARTS

16



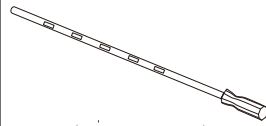
(Pre-assembled)
1 Player Rod with Handle
XRF10015 (2)

17



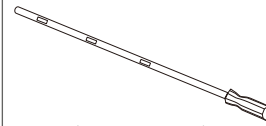
(Pre-assembled)
2 Player Rod with Handle
XRF10016 (2)

18



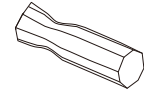
(Pre-assembled)
5 Player Rod with Handle
XRF10017 (2)

19



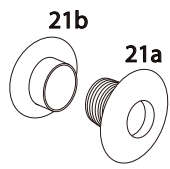
(Pre-assembled)
3 Player Rod with Handle
XRF10018 (2)

20



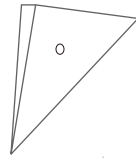
(Pre-assembled)
Handle
XRF10019 (8)

21



(Pre-Installed)
Rod Bushings
XRF10020 (16)

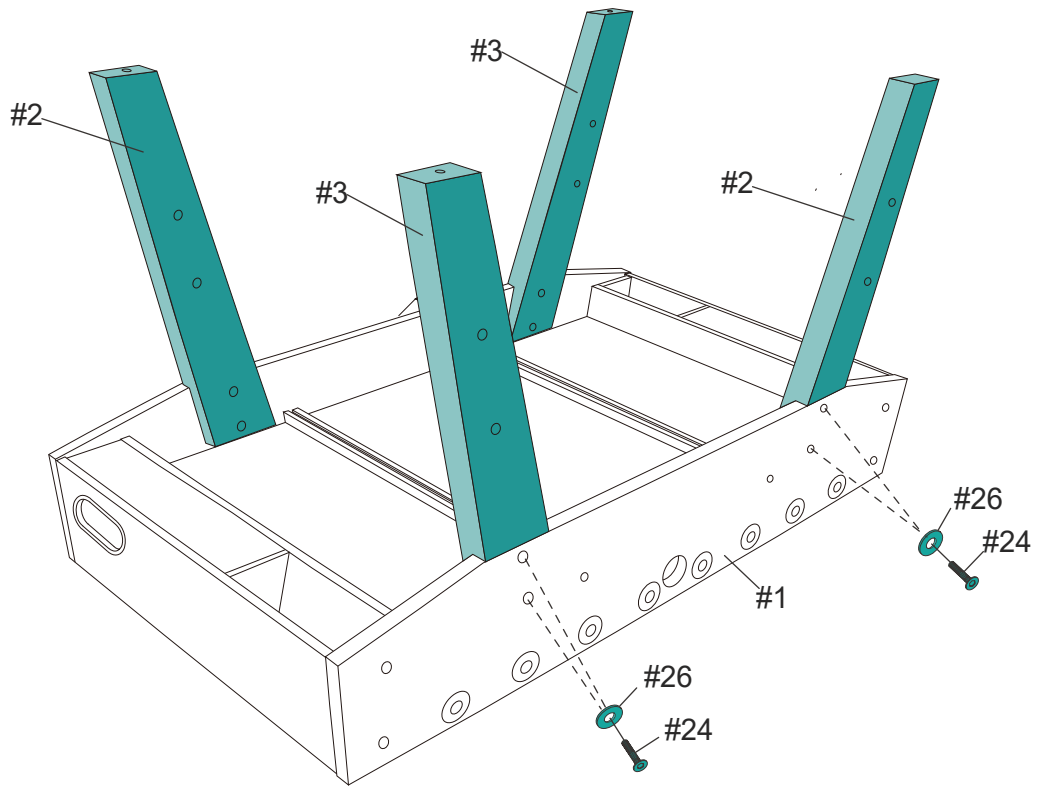
22



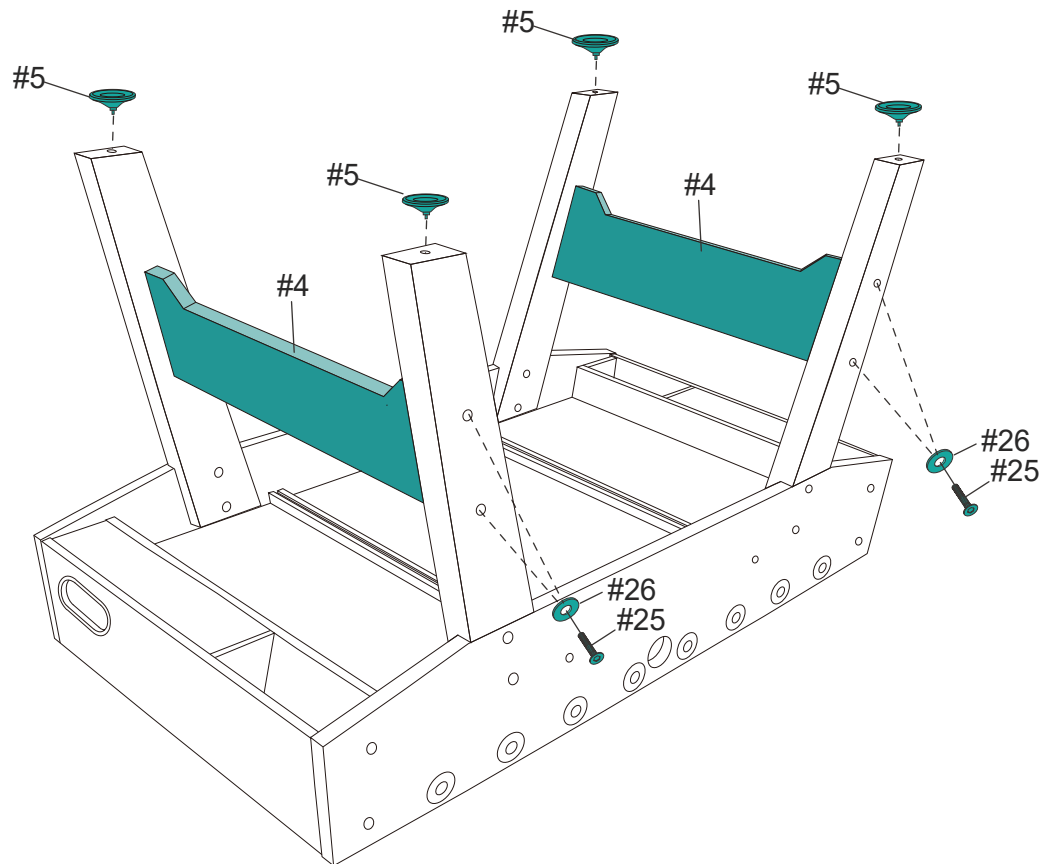
(Pre-Installed)
Surface Corner Ramps
XRF10021 (4)

AVENGER 56" FOOSBALL TABLE - WALNUT

STEP 1



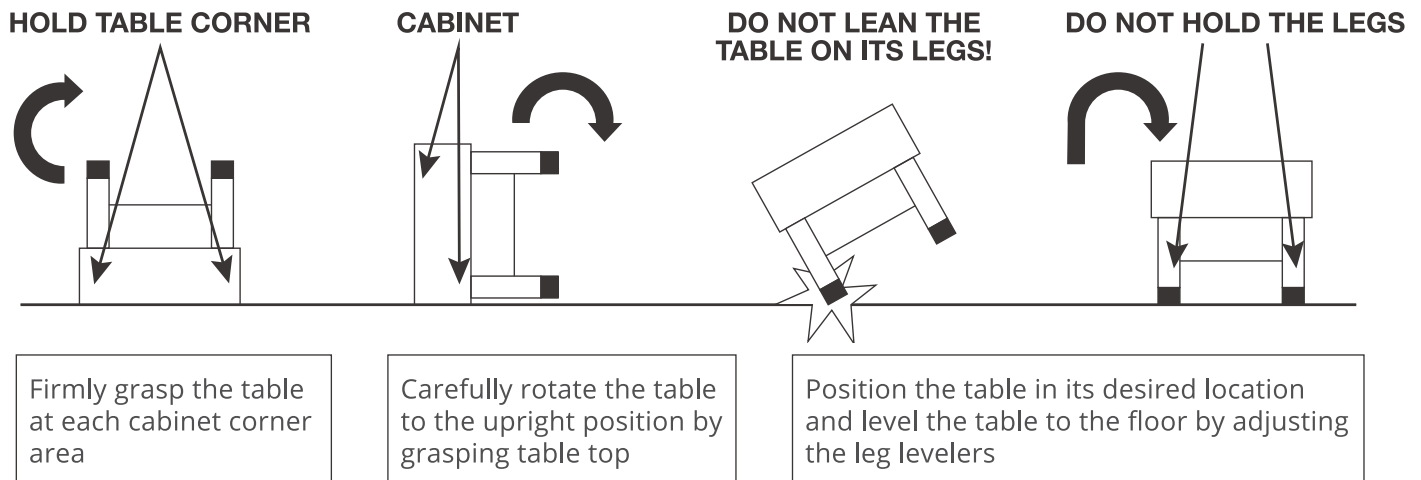
STEP 2



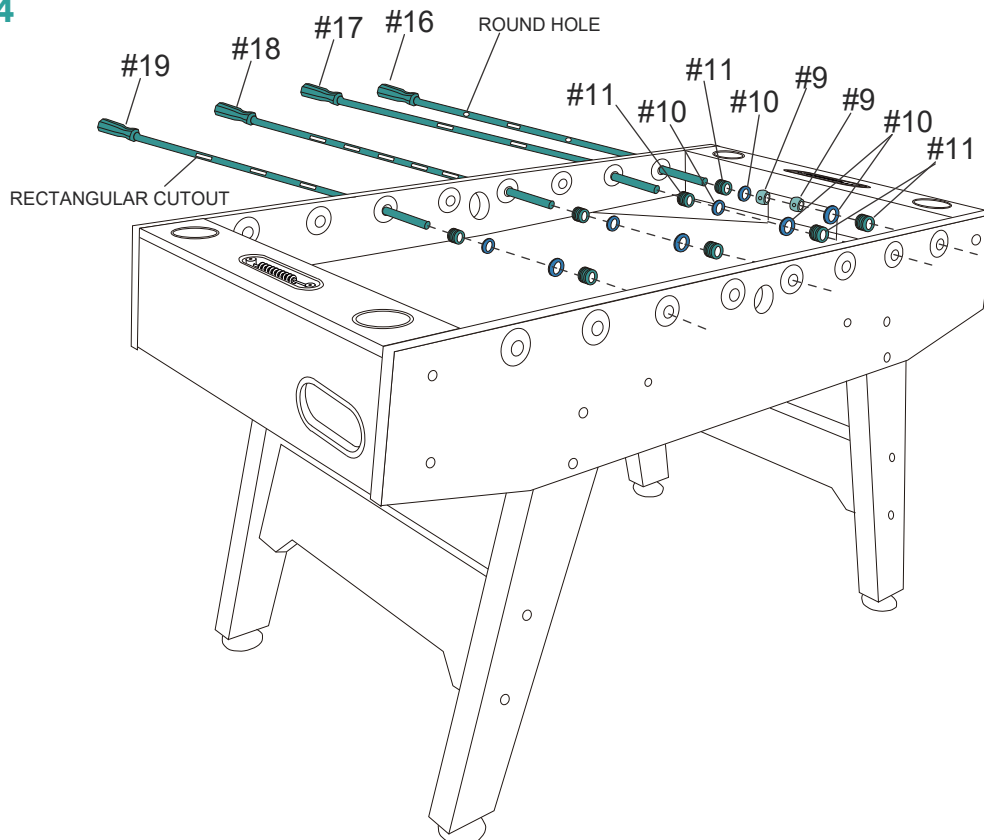
AVENGER 56" FOOSBALL TABLE - WALNUT

STEP 3

CAUTION: THE TABLE IS HEAVY; IT IS RECOMMENDED THAT TWO STRONG ADULTS ASSIST IN FLIPPING THE TABLE OVER TO THE UPRIGHT POSITION AS SHOWN BELOW.



STEP 4



PARTIALLY INSERT THE HANDLE/RODS THROUGH THE BUSHINGS ON ONE SIDE OF THE TABLE AS SHOWN ABOVE, SLIDE ONTO THE ROD THE RUBBER BUMPERS AND WASHERS – SEE THE STANDARD ROD ILLUSTRATION BELOW IN STEP 5

NOTE: IN ADDITION TO THE RUBBER BUMPERS AND WASHERS THE GOALIE ROD ALSO REQUIRES PLAYER STOP RINGS THAT SLIP ONTO THE ROD AND MUST BE INSTALLED IN PLACE – SEE THE GOALIE ROD ILLUSTRATION BELOW IN STEP 5

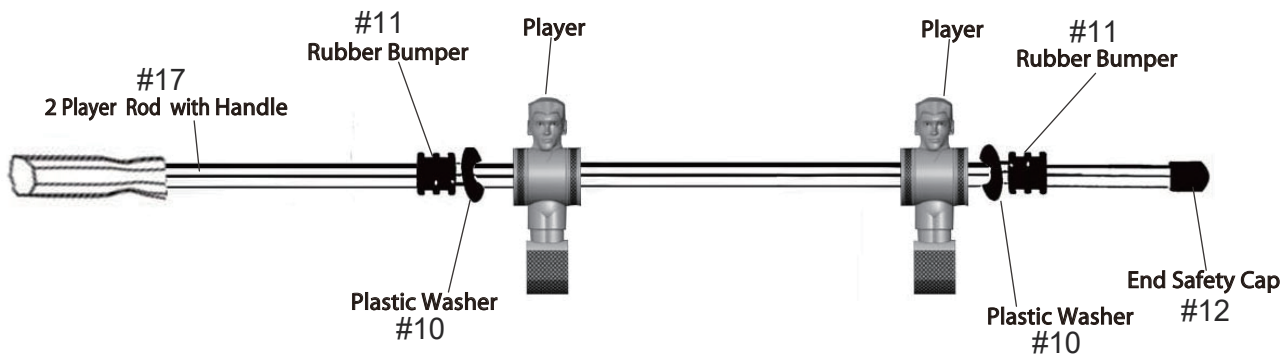
AVENGER 56" FOOSBALL TABLE - WALNUT



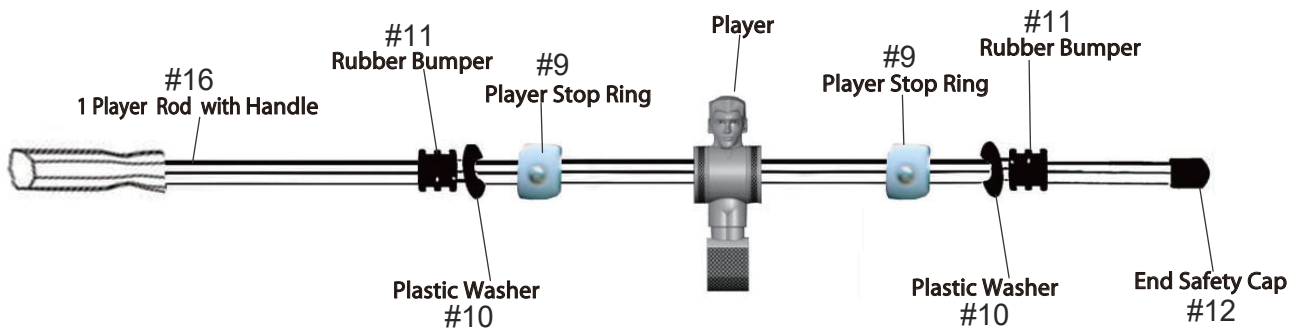
NOTE: THE RODS HAVE BEEN PRE-LABELLED FOR EASY IDENTIFICATION DURING THE ASSEMBLY PROCESS – ONCE THE RODS ARE INSTALLED IN THE TABLE - THE #12 END SAFETY CAP WILL SLIP ONTO THE END OF THE ROD AND COVER THE LABEL.

STEP 5

STANDARD ROD ILLUSTRATION



GOALIE ROD ILLUSTRATION

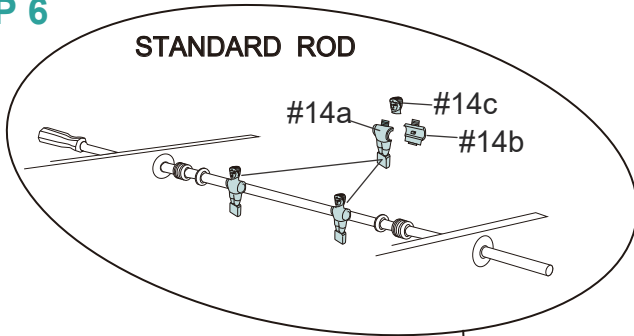


REFER TO STEP 7 - OVERHEAD VIEW OF HOW THE PLAYER POSITIONING WILL LOOK ONCE ASSEMBLED

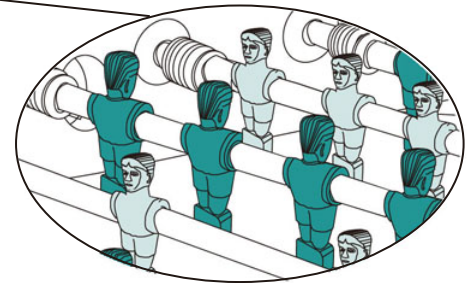
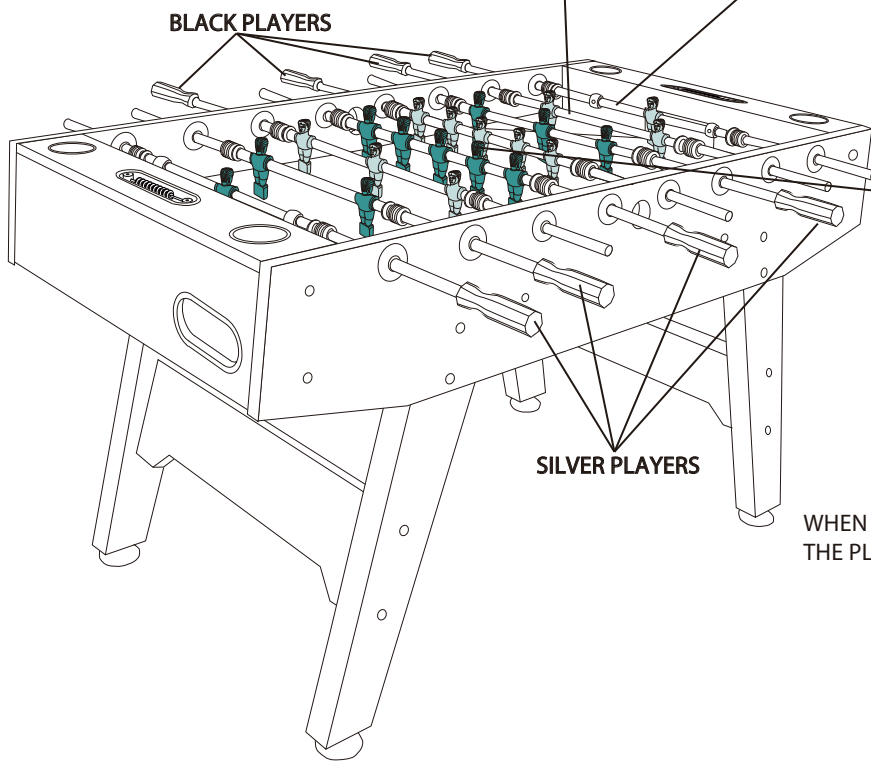
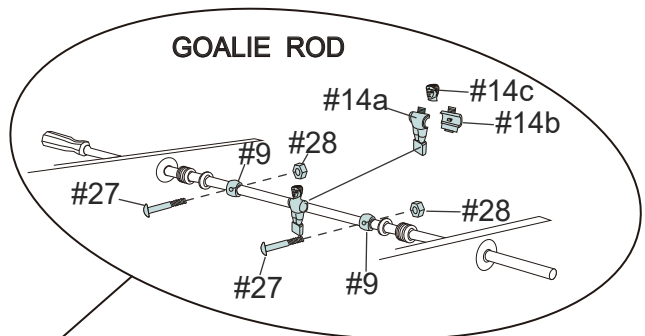
AVENGER 56" FOOSBALL TABLE - WALNUT

STEP 6

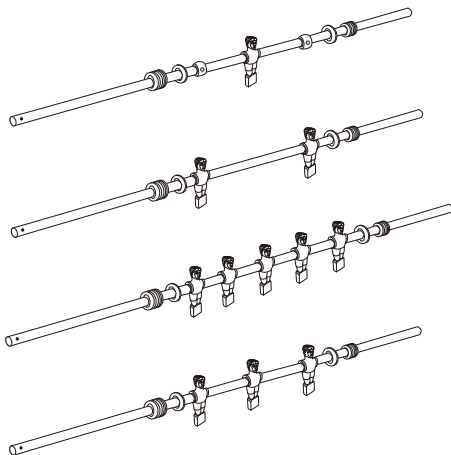
STANDARD ROD



GOALIE ROD



WHEN ASSEMBLING THE PLAYERS ONTO THE ROD MAKE SURE THE PLAYERS ARE FACING THE OPPOSING COLORED PLAYER .



1 GOALIE ROD - 1 WITH SILVER PLAYER - 1 WITH BLACK PLAYER

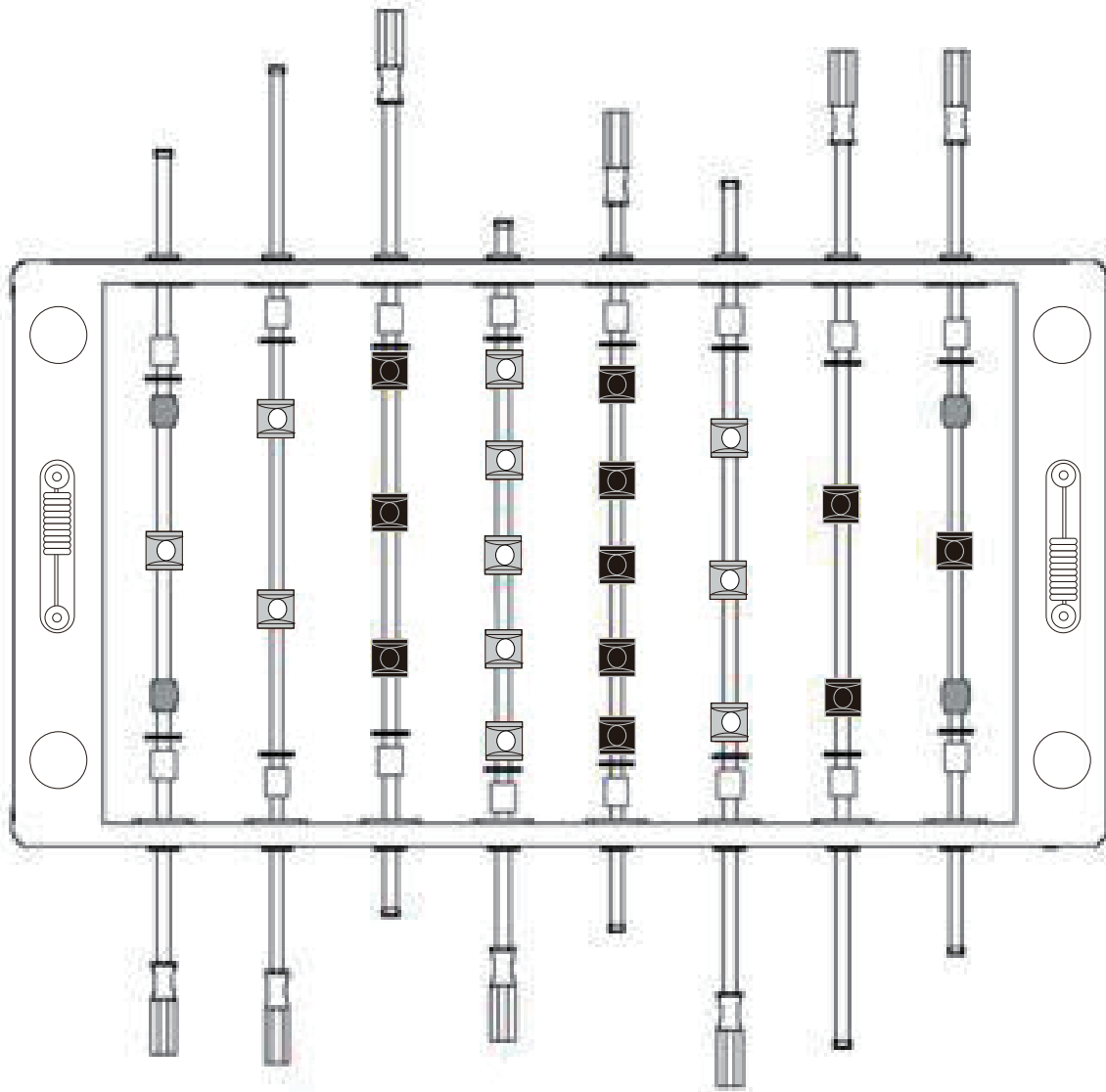
2 PLAYERS ROD - 1 WITH SILVER PLAYERS - 1 WITH BLACK PLAYERS

5 PLAYERS ROD - 1 WITH SILVER PLAYERS - 1 WITH BLACK PLAYERS

3 PLAYERS ROD - 1 WITH SILVER PLAYERS - 1 WITH BLACK PLAYERS

AVENGER 56" FOOSBALL TABLE - WALNUT

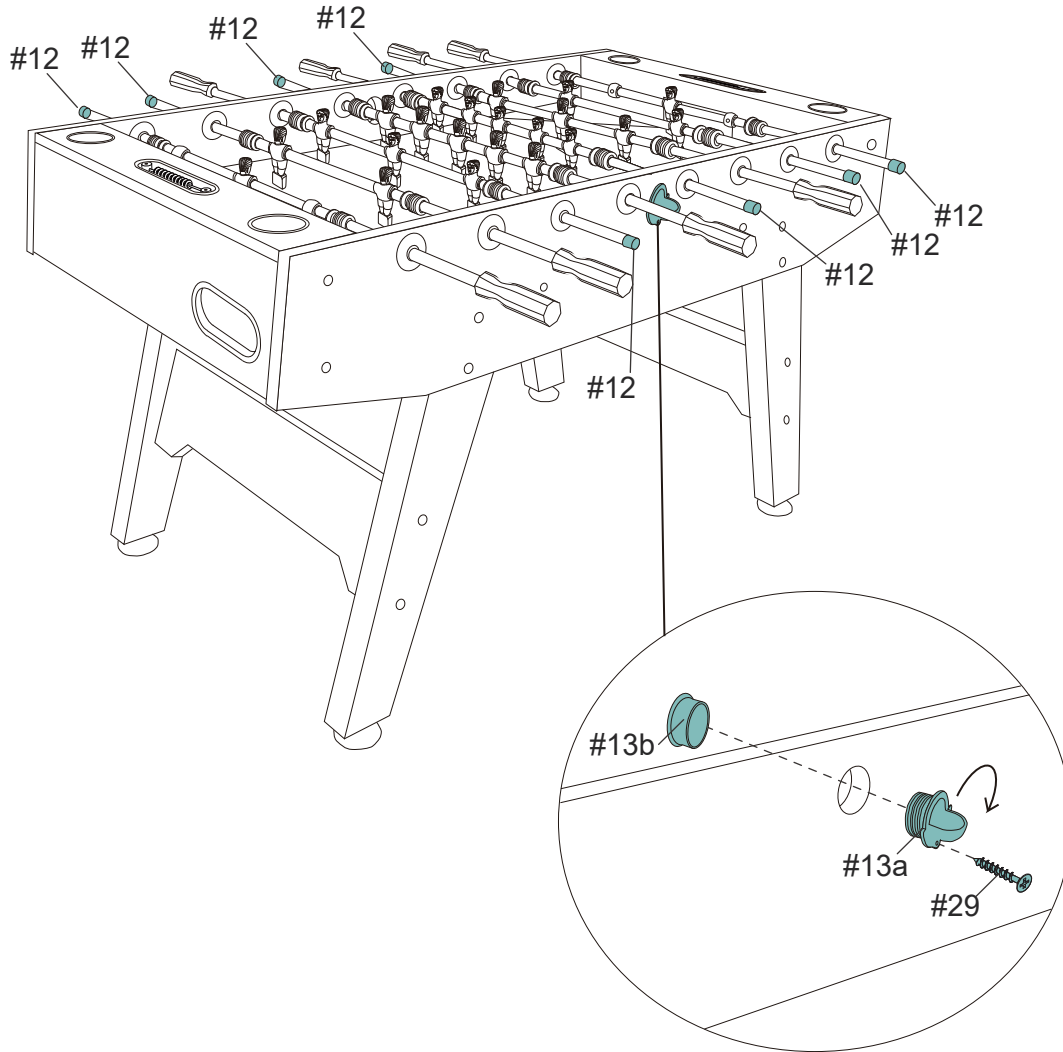
STEP 7



THE OVERHEAD VIEW SHOWS THE CORRECT POSITIONING OF THE RODS AND PLAYERS ONCE THEY ARE ASSEMBLED

AVENGER 56" FOOSBALL TABLE - WALNUT

STEP 8



1-YEAR LIMITED WARRANTY

This product is warranted to the original purchaser to be free from defects in material or workmanship for a period of 1-Year from the date of the original retail purchase.

This warranty does not cover defects or damage due to improper installation, alteration, accident, or any other event beyond the control of the manufacturer. Defect or damage resulting from misuse, abuse, or negligence will void this warranty. This warranty does not cover scratching or damage that may result from normal usage.

This product is not intended for institutional or commercial use: the manufacturer does not assume any liability for such use. Institutional or commercial use will void this warranty.

This warranty is nontransferable and is expressly limited to the repair or replacement of the defective product. During the warranty period, the manufacturer shall repair or replace defective parts at no cost to the purchaser. Labor charges and related expenses for removal, installation or replacement of the product, or components are not covered under this warranty.

The manufacturer reserves the right to make substitutions to warranty claims if parts are unavailable or obsolete.

The manufacturer shall not be liable for loss of use of the product, or other consequential or incidental costs, expenses or damage incurred by the consumer of any other use.

All warranty claims must be made to Freetime Fun. A purchase receipt with purchase date will be required to process all warranty claims. The model number and part numbers found within the assembly instructions will be required when submitting any parts requests or warranty claims.

**BE SURE TO CHECK OUR WEBSITE AT FREETIMEFUN.COM
FOR GREAT NEW GAMES, SAUNAS, PATIO, AND POOL SUPPLIES FOR YOUR HOME AND FAMILY!
WWW.FREETIMEFUN.COM**



**BEST IN GAMES, SAUNAS,
POOL AND PATIO**

**1830 E. FABYAN PKWY, BATAVIA, IL 60510
PHONE: 1-888-620-6088
EMAIL: CUSTOMERSERVICE@FREETIMEFUN.COM**

**TO ORDER REPLACEMENT PARTS
VISIT OUR WEBSITE
WWW.FREETIMEFUN.COM**